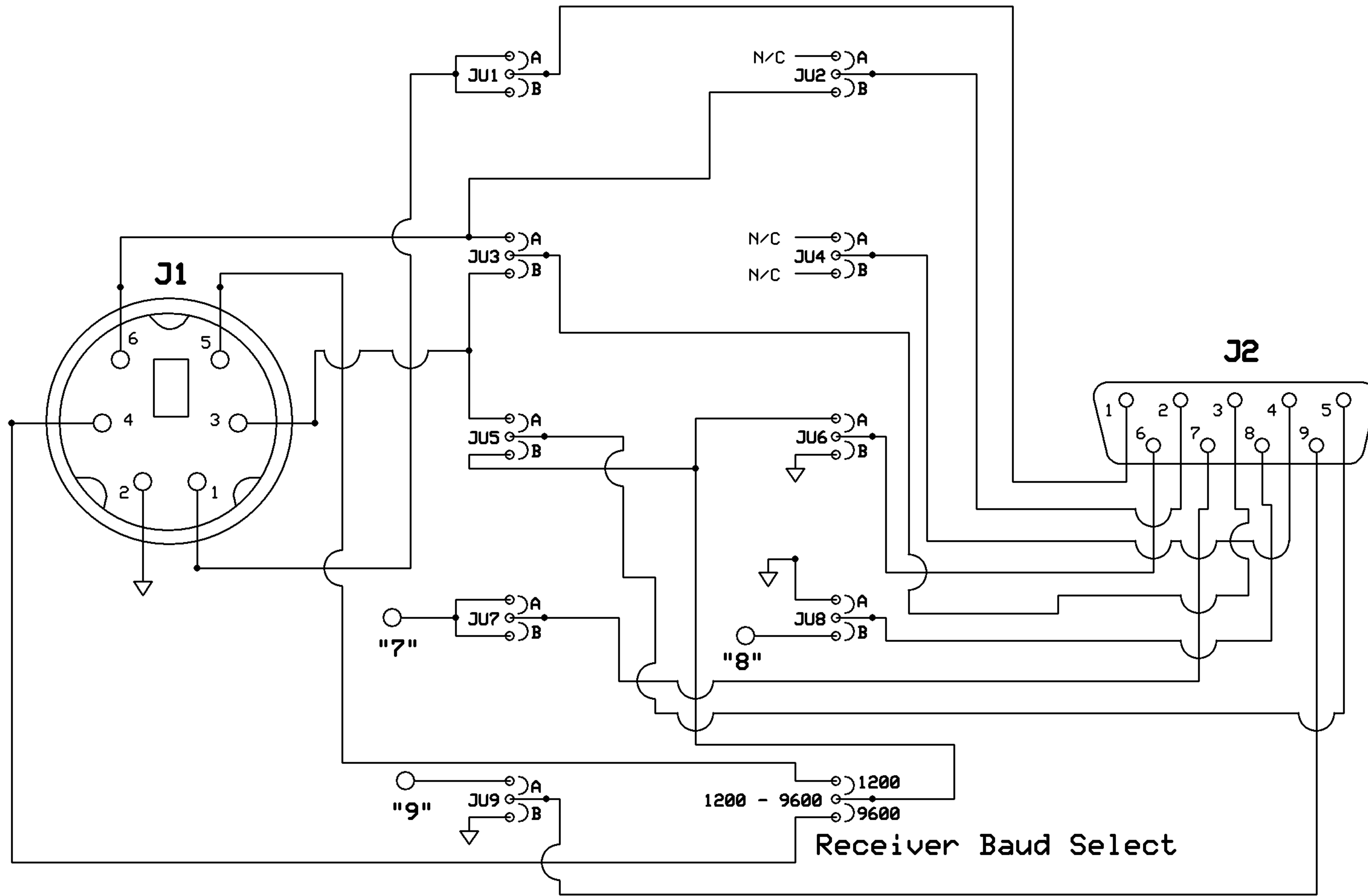


JU1 thru JU9

A = RA
B = DRA



J1 = Mini-DIN-6 Female
J2 = DB9 Male

Masters Communications	
Mini DIN 6 Adapter - DIN-6	
Kevin Custer	Rev 1.0
	3/12/2020