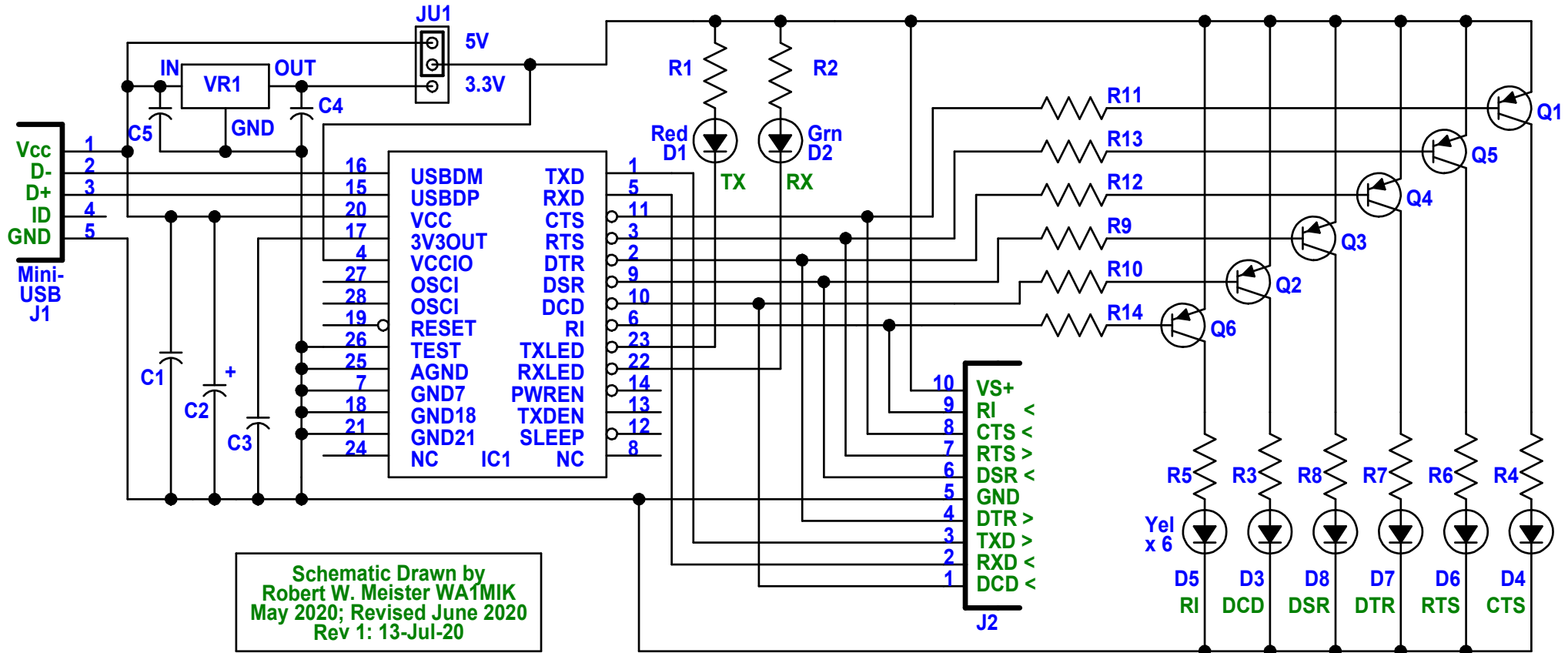


Masters Communications FTDI USB to TTL Adapter Rev 1 - 07/13/20



Schematic Drawn by
Robert W. Meister WA1MIK
May 2020; Revised June 2020
Rev 1: 13-Jul-20