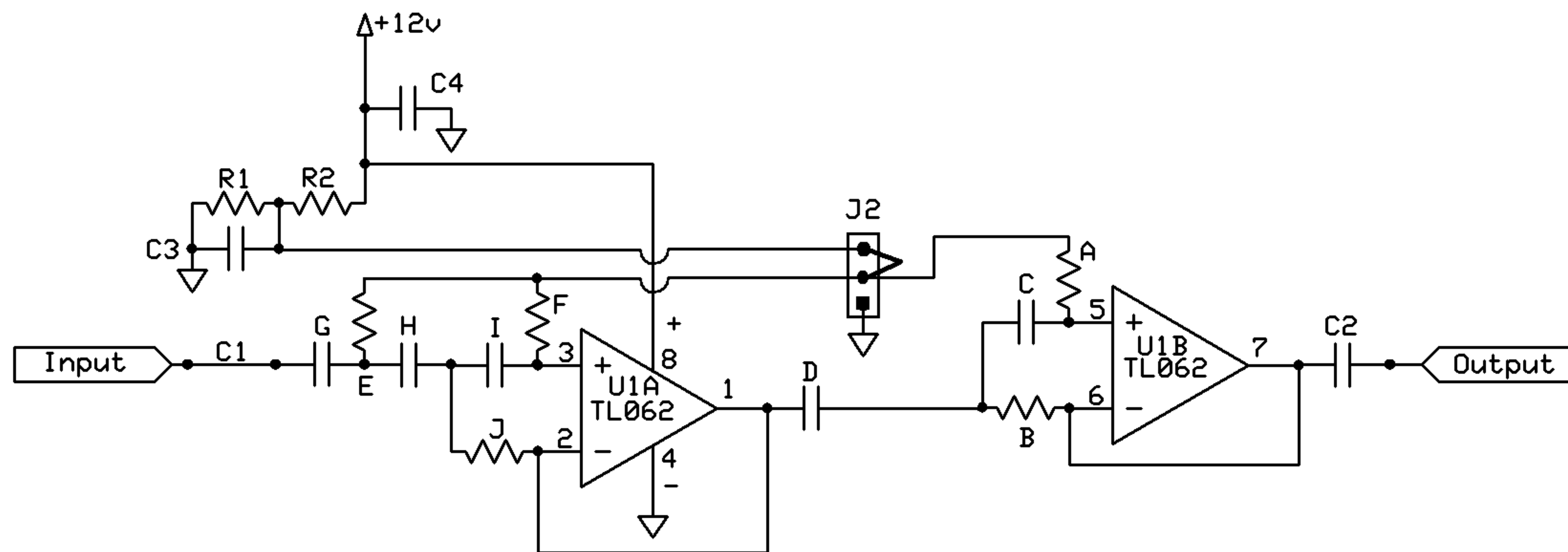


Low Pass Filter



High Pass Filter

Notes for HPF:
 C1 - Location jumpered
 R3 - omitted

Masters Communications

FL-10 Filter

Kevin Custer

Rev 1.0

4/5/2016